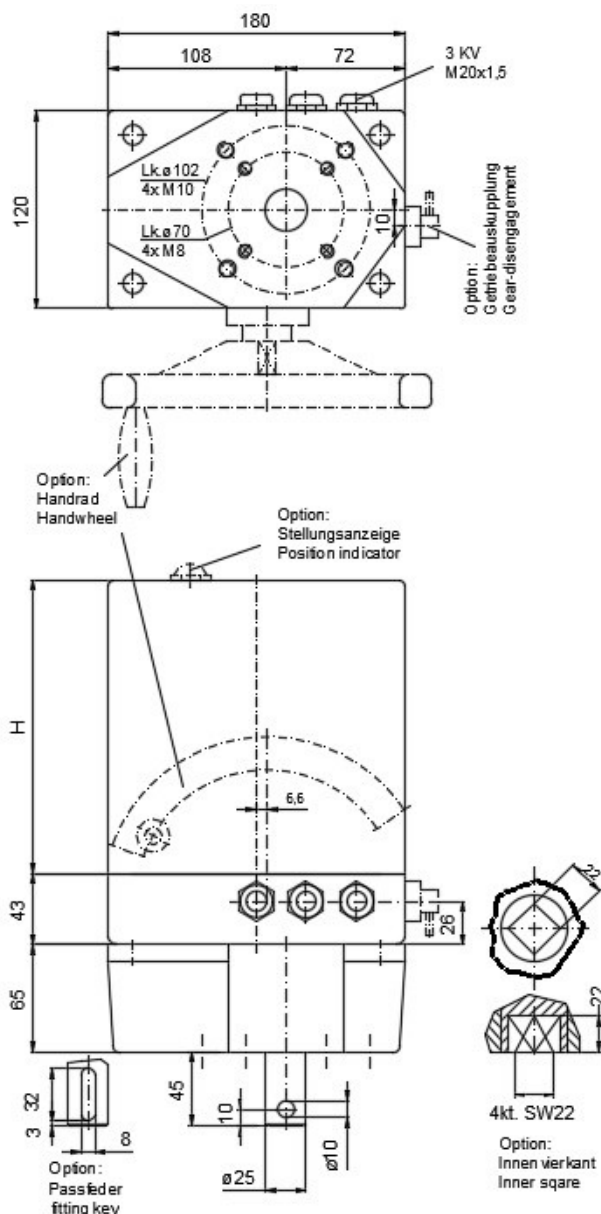
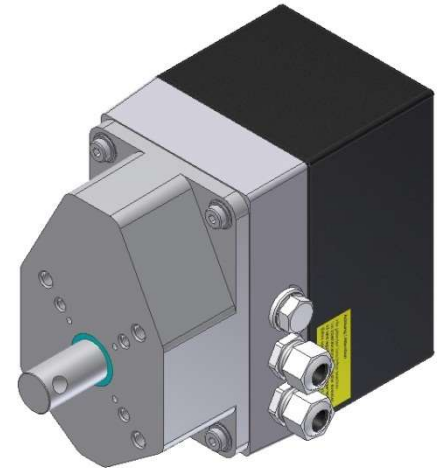


Part-turn / Rotary Actuator AN300-BL

Technical data	
Torque	max. 300Nm
Actuating time	7s -220s / 90° Stellzeiten einstellbar
Swivelling / rotary range	10° - 90°, fine adjustable Optional up to 72 rotations
Voltage	24VDC
Amb.-Temp.	-15°C to +60°C Optional -30°C to +60°C
Protection class	IP 65 Optional IP 66



General data

- Adjustable, wear-free BLDC-Motor
- Torque adjustable with Fault indication
- Actuating times adjustable
- high self-holding torque (also currentless)
- Electronic actuating time control
- Control cam fine adjustment
- Maintenance-free
- To fit in any fitting position
- Robust, weatherproof design built to industrial standards
- Numerous options:
- Additional switches, Potentiometer
- Position indicator or positioner
- Hand wheel, gear disengagement ...
- Cover height H98 –218mm
- Other shafts or designs possible