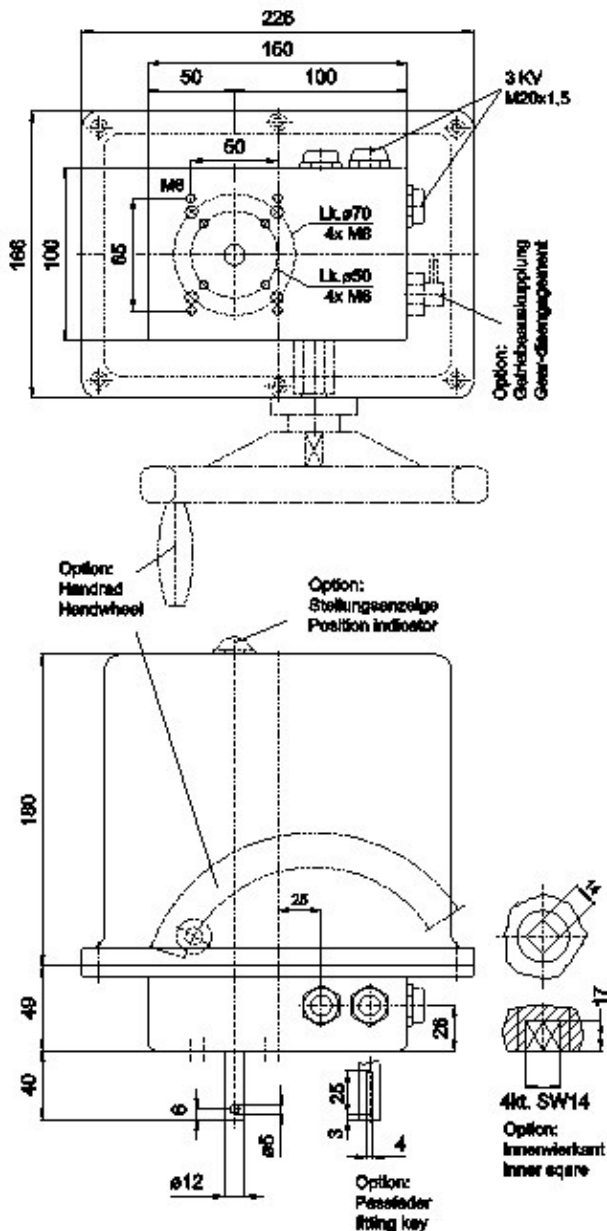
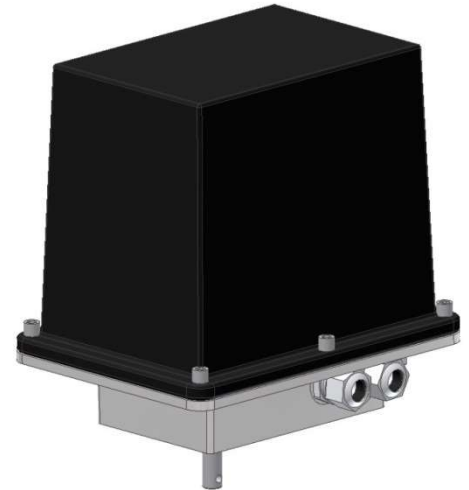


Part-turn / Rotary Actuator AN40-BL-A

Technical data	
Torque	max. 40Nm
Actuating time	0,3s -60s / 90° adjustable
Swivelling / rotary range	10° to 320°, fine adjustable Optional up to 250 rotations
Voltage	24VDC
Amb.-Temp.	-15°C to +60°C Optional -30°C to +60°C
Protection class	IP 67 – Outdoor installation



General data

Adjustable, wear-free BLDC-Motor

Torque adjustable with Fault indication

Actuating times adjustable

Hohes Selbsthaltungsmoment auch stromlos

Electronic actuating time control

Control cam fine adjustment

Maintenance-free

To fit in any fitting position

Robust, weatherproof design built to industrial standards

Numerous options:

Additional switches, Potentiometer

Position indicator or positioner

Hand wheel, gear disengagement ...

Cover height H98 –218mm

Other shafts or designs possible