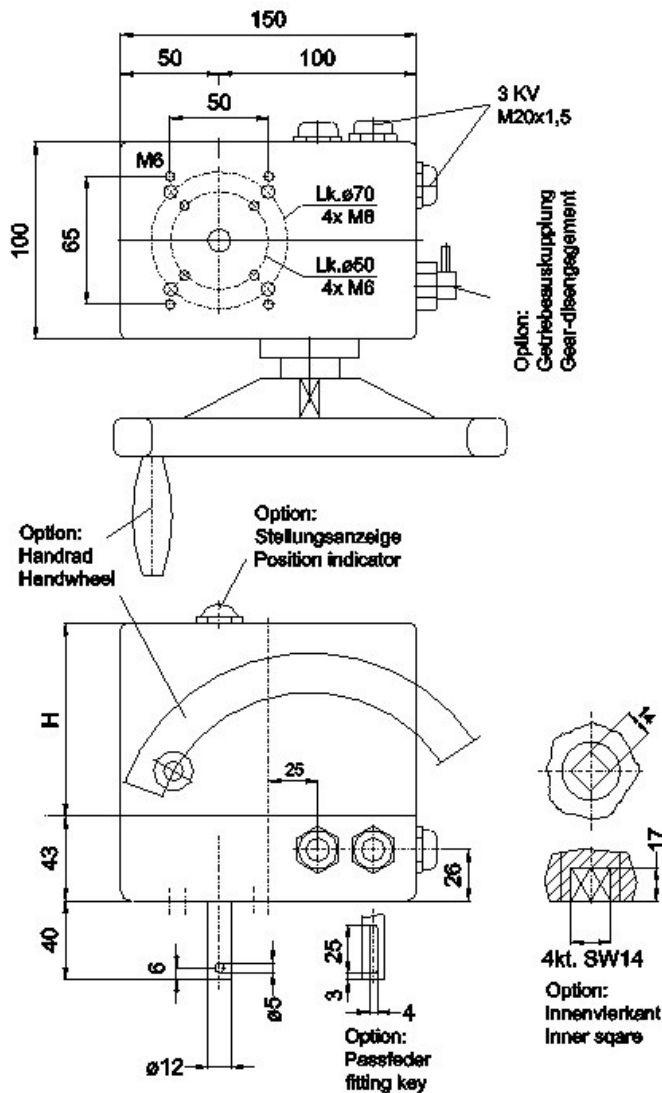
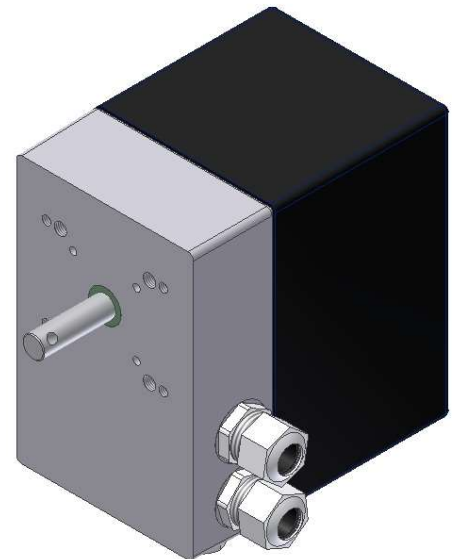


# Part-turn / Rotary Actuator AN40-BL

Technical data	
Torque	max. 40Nm
Actuating time	0,3s -60s / 90° adjustable
Swivelling / rotary range	10° to 320°, fine adjustable Optional up to 250 rotations
Voltage	24VDC
Amb.-Temp.	-15°C to +60°C    Optional -30°C to +60°C
Protection class	IP 65                    Optional IP 66



General data
Adjustable, wear-free BLDC-Motor
Torque adjustable with Fault indication
Actuating times adjustable
high self-holding torque (also currentless)
Electronic actuating time control
Control cam fine adjustment
Maintenance-free
To fit in any fitting position
Robust, weatherproof design built to industrial standards
Numerous options: Additional switches, Potentiometer Position indicator or positioner Hand wheel, gear disengagement ... Cover height H98 –218mm
Other shafts or designs possible
Numerous mounting parts and accessories