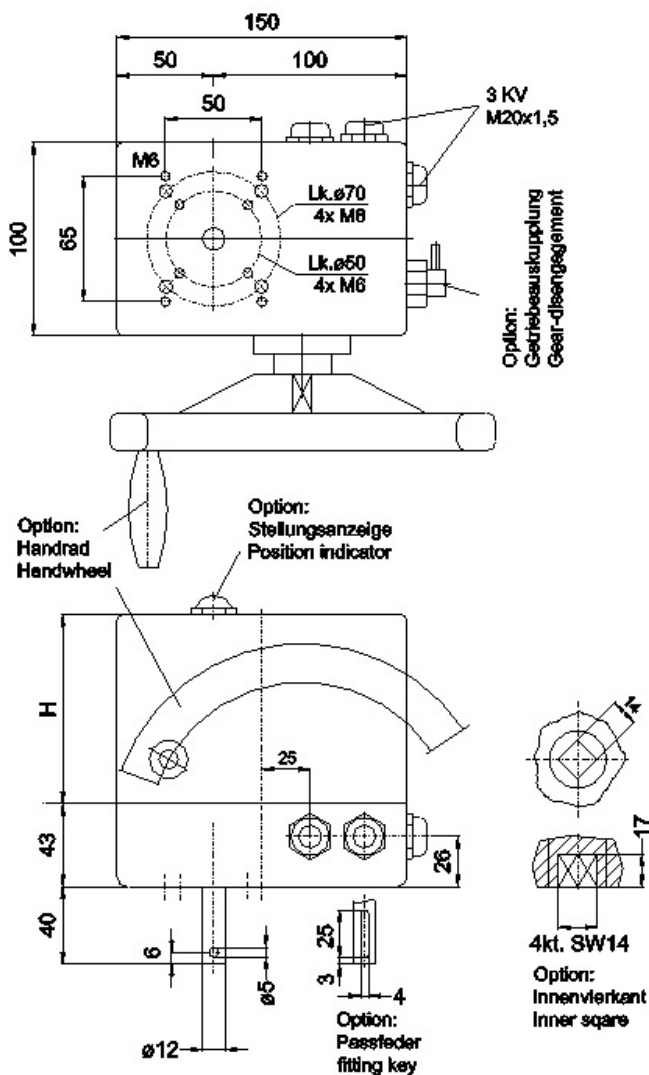
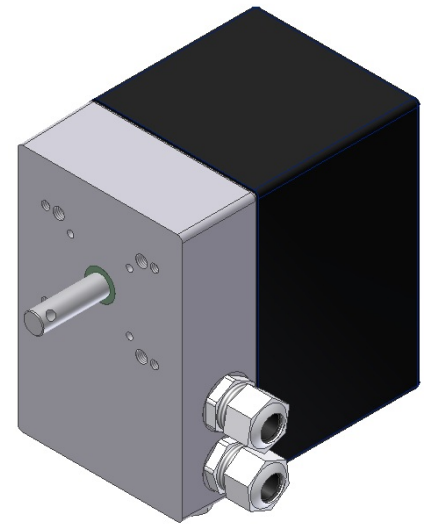


Part-turn / Rotary Actuator AN40

Technical data	
Torque	1 to 40Nm
Actuating time	1 to 500s/90°, 100% synchronism
Swivelling / rotary range	10° to 320°, fine adjustable Optional up to 250 rotations
Voltage	230V AC, 50 / 60 Hz Optional 24/115VAC, 400VAC, 12/24VDC
Amb.-Temp.	-15°C to +60°C Optional -40 / +80°C
Protection class	IP 65 Optional IP 66



General data
Compact design built to industrial standards
Robust and maintenance-free
To fit any fitting position
Short-circuit proof synchronous motor
No mechanical brake required
Control cam fine adjustable
Numerous options:
Additional switches, Potentiometer
Position indicator or positioner,
Hand wheel, gear disengagement ...
Cover-height H98 -178 acc. options
Other shafts or designs
Numerous accessories