

Power Cut-Off LWS2-230VAC

General

The power cut-off LWS2 - 230VAC is used to detect a blocking of the synchronous motor as well as to switch off the drive and to switch a fault message over a potential-free contact.

The switch off of the motor and the fault message remain active until the supply voltage has been interrupted for approx. 1s or will be reversed.

The control signals for the clockwise and counter-clockwise rotation are not coupled to each other so that in case of parallel operated drives relays for parallel operation must be provided.

The "MD" potentiometer on the PC board must be set in the factory on the motor type and should only be changed upon approval.

The green "L" and "R" LED's are used to indicate the rotation direction.

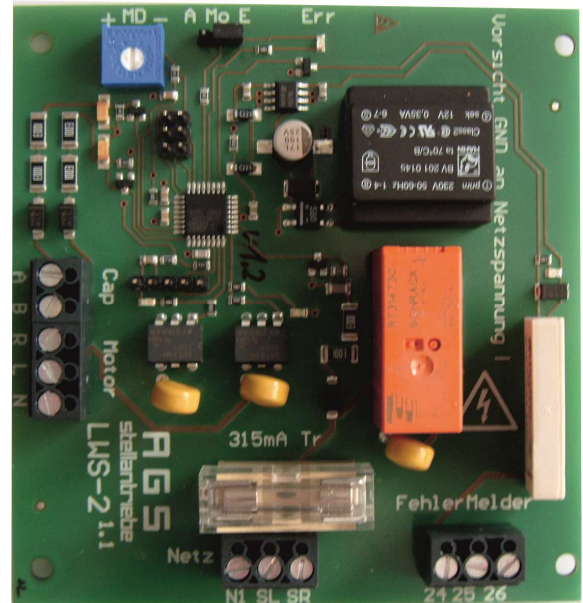
The "Mo" jumper is used to select whether the motor will switch off in case of a blockage (position "E") or whether it will remain switched on in case of faults (position "A").

The power cut-off is a sinusoidal alternating voltage designed for 230V, 50(60) Hz.

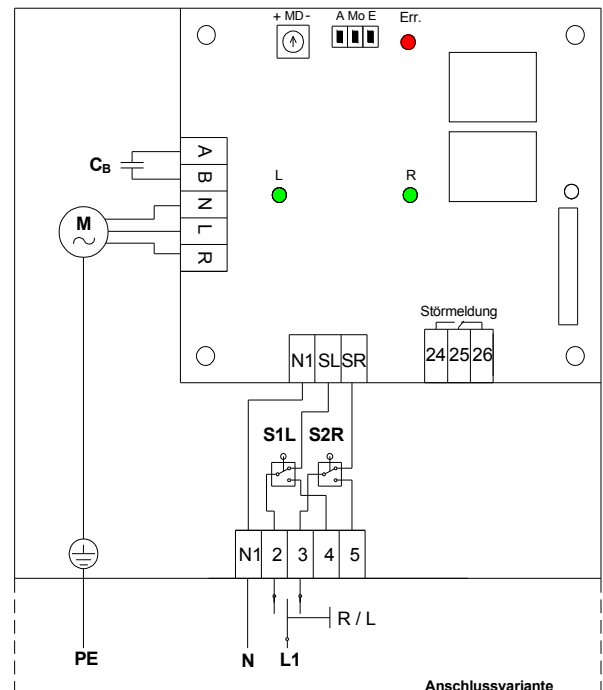
Fault Relay

During normal operation, the fault relay is interconnected at terminals 25-26. LED flashes green.

In case of a fault, the fault relay closes and terminals 24-25 are interconnected. LED flashes red.



Circuit Diagram



Attention: Danger of death! Due to the design, some of the components of the control carry mains voltage!