

Power Cut-Off LDS1-400VAC

General

The power cut-off LDS1 - 400VAC is used to switch off a three phase motor when exceeding a predefined power limit and to switch a fault message over a potential-free contact.

The motor remains switched off and the fault message remains active until the supply voltage has been interrupted for approx. 1s., reversed or the "Rst" reset key has been pressed.

The power limit for the motor can be set at the potentiometer (MD) in the range of 0 to 0.5A. The "MD" potentiometer on the PC board must be set in the factory to the motor type and should only be changed upon approval.

The "Mo" jumper is used to select whether the motor will switch off in case of a blockage (position "A") or whether it will remain switched on in case of faults (position "E").

The power cut-off is a sinusoidal three phase voltage designed for 400V, 50(60) Hz.

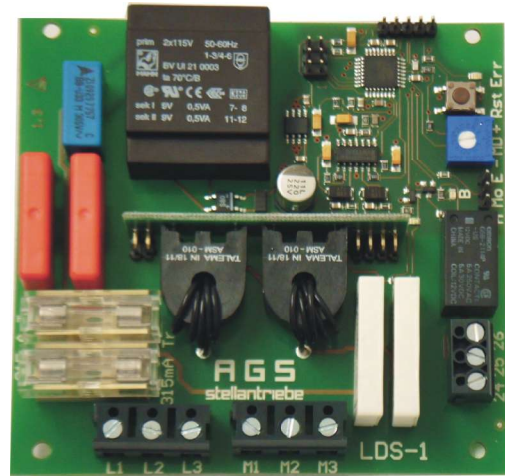
Fault Relay

During normal operation, the fault relay is interconnected at terminals 25-26.

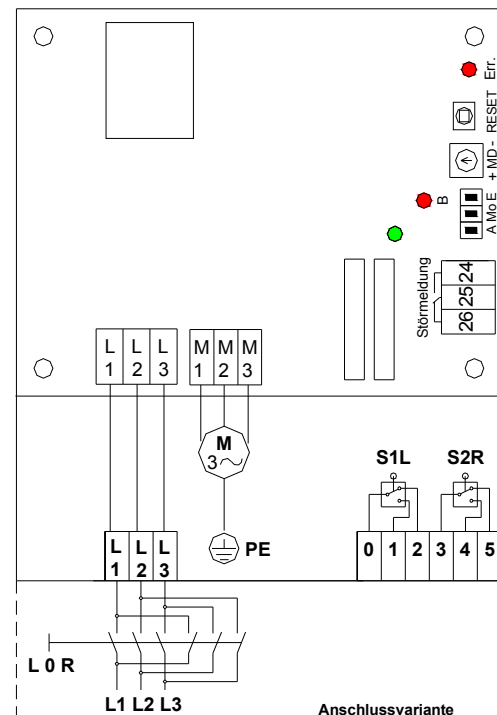
LED flashes green.

In case of a fault, the fault relay closes and terminals 24-25 are interconnected.

LED flashes red.



Circuit Diagram



Attention: Danger of death! Due to the design, some of the components of the control carry mains voltage!