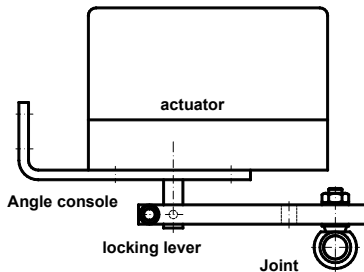


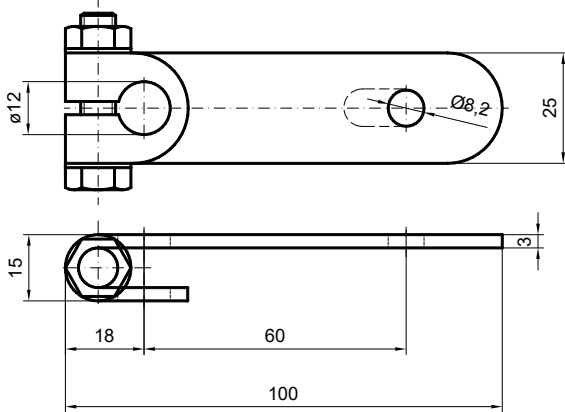
Mounting parts

Mounting example



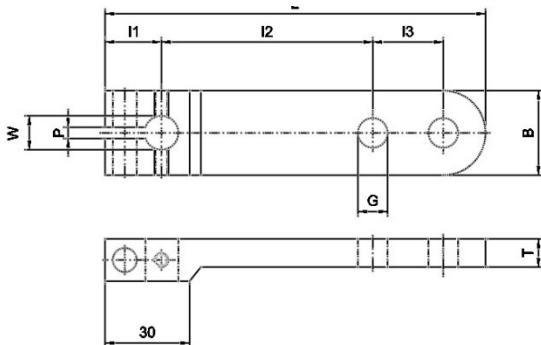
Locking lever KH 20

Material: Steel, galvanized



Locking lever KH 40-300

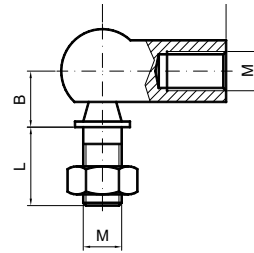
Material: Alu or Steel, galvanized



B.-Nr.	W	L	I1	I2	I3	G	B	P	T
32050	12	135	20	75	25	10,5	30	4	10
32055	14	135	20	75	25	10,5	30	5	10
32060	20	196	26	100	50	16,5	40	6	14
32065	25	196	26	100	50	16,5	40	8	14

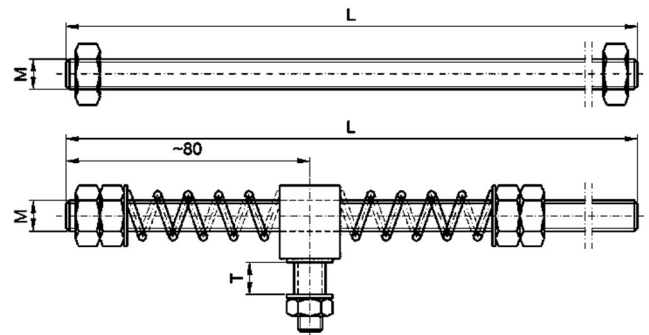
Joint GK

Material: Steel, galvanized



B.-Nr.	M	A	B	L
32100	10	35	16	20
32110	16	45	20	28

Linkage GS, Feather linkage FGS



B.-No. GS	B.-No. FGS	M	L	T
32150	32180	M10	500	10
32155	32181	M10	1000	10
32170	32185	M16	500	14
32175	32186	M16	1000	14

Angle console WKL

Material: Steel, galvanized

