

## Lift drive JMB-0

### Description:

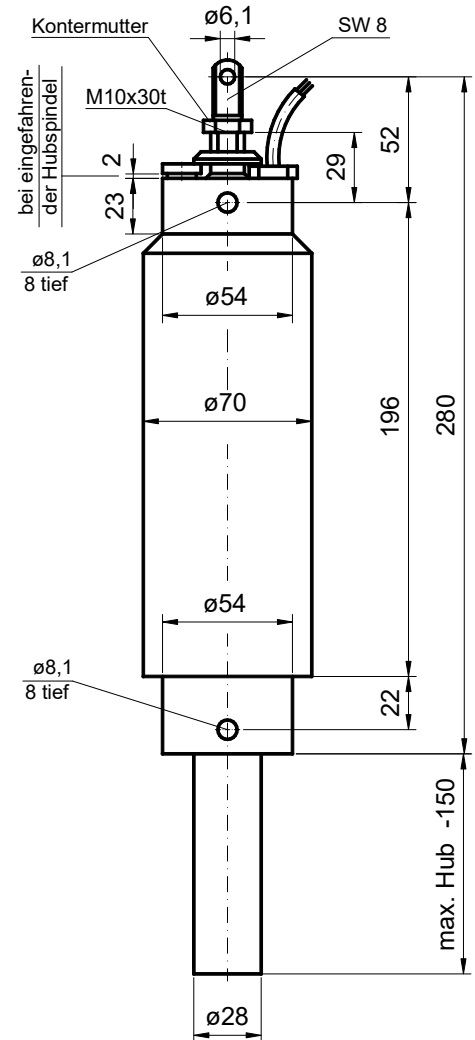
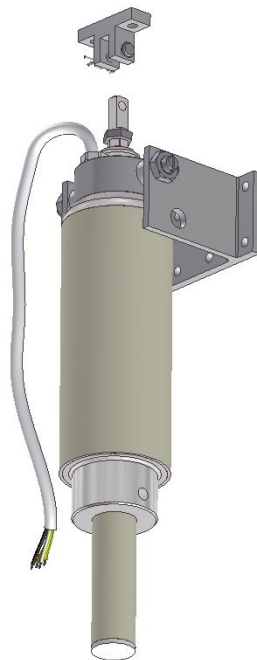
This graceful designed electrical lift drive accommodated in a sturdy aluminium housing is suitable to open roof flaps. The construction as well as the extensive accessories make the lift drive also suitable for diverse usage options. The lift drive is equipped with a relay for parallel use.

### Function:

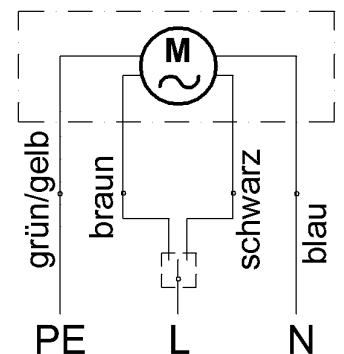
The lift drive is equipped with a maintenance-free spindle but isn't suitable for an outdoor installation. The actuator gets switched off in both final positions. Lamp indication is not possible.

### Technical data:

Current:	230V AC
Frequency:	50Hz
Power input:	200W / 0,92A
Protection:	IP54 n. DIN VDE 0470
Temp. protection:	115°C
Amb.-Temperature:	-15°C to +60°C
Throw force:	500N / 350N
(pressure/drag)	(800N / 350N on request)
Stroke:	up to 500mm
Regulating time:	10mm/s
Mode:	ED-S2
Connection cable:	H05W-F 6x1,0mm <sup>2</sup> ca. 1,2m lg.
Colour:	similar to RAL 9002
Weight:	2,0kg (300 Hub)



elektrische Verriegelung notwendig!



Keine Anzeige für Antriebsstellung möglich!