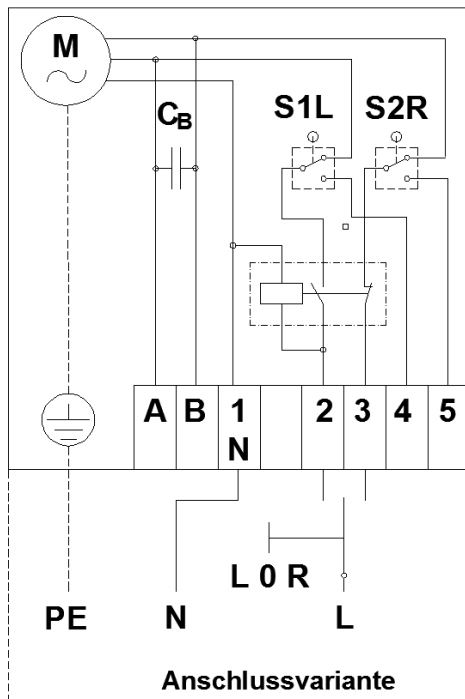
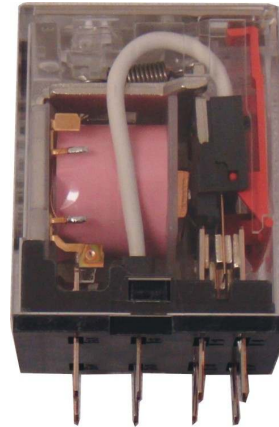


Relay for parallel use

Relay for parallel use

The actuators of the AN and HAK series can optionally be equipped with a relay for parallel use.

The relay is used to drive multiple actuators via one contact point.



Technical data

Coil voltage: 220 - 240V AC

Coil performance: 1,1VA

Coil resistance: 18,78 kΩ

Contact voltage max.: 250V AC

Switching current max.: 10A

Switching performance max.: 2500 VA

Contact arrangement: 2-poliger Wechsler

Isolation between coil and contact: 2kV

Ambient temperature: max. +70°C