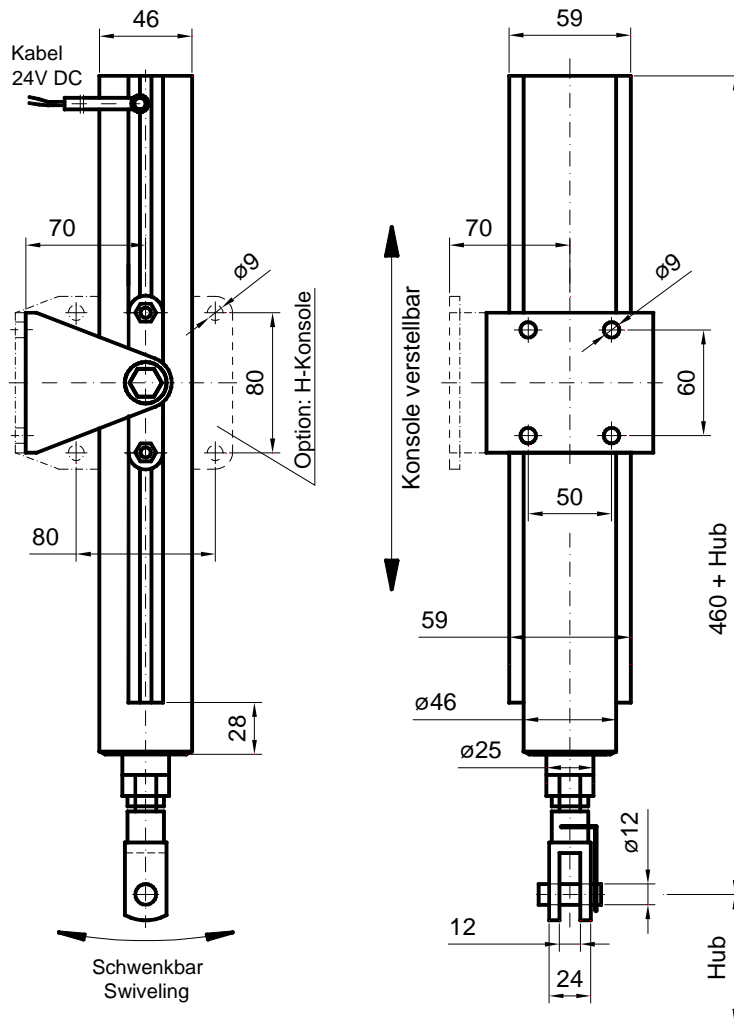
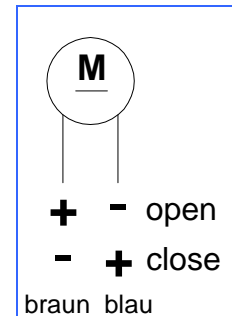


Lift drive HAL

Technical data	
Voltage	24V DC, Ripple max. 5 %
Torque	Up to 2500N
Displacement	50 / 100 / 150 / 300 / 500 / 750 / 1000mm
Actuating time	2mm/s until 15mm/s
Power-switching	Limit switches in the end positions and electronic load disconnection
Protection	IP 54
Duty cycle	ED-S1-100% ≤1A, ED-S3-30% >1A
Amb. temperature	-20°C to +60°C



Connection diagram



Description:

The graceful designed electrical linear drive accommodated in a sturdy aluminum housing is suitable to open all kinds of flaps.

It is mountable independently and equipped with a maintenance-free spindle unit. The lift drive isn't suitable for an outdoor installation. The console is made of stainless steel.

Note:

Please pay attention with the selection of the inlet compellingly to a sufficient conductor section. At least the 1,5 of the rated current is necessary as current supply. During disregard of the defaults internal electronics cannot switch off the lift drive, so a damage to the linear drive or its attachments is possible.

The linear drive may be operated only with a safety extra-low voltage according to VDE 0551.