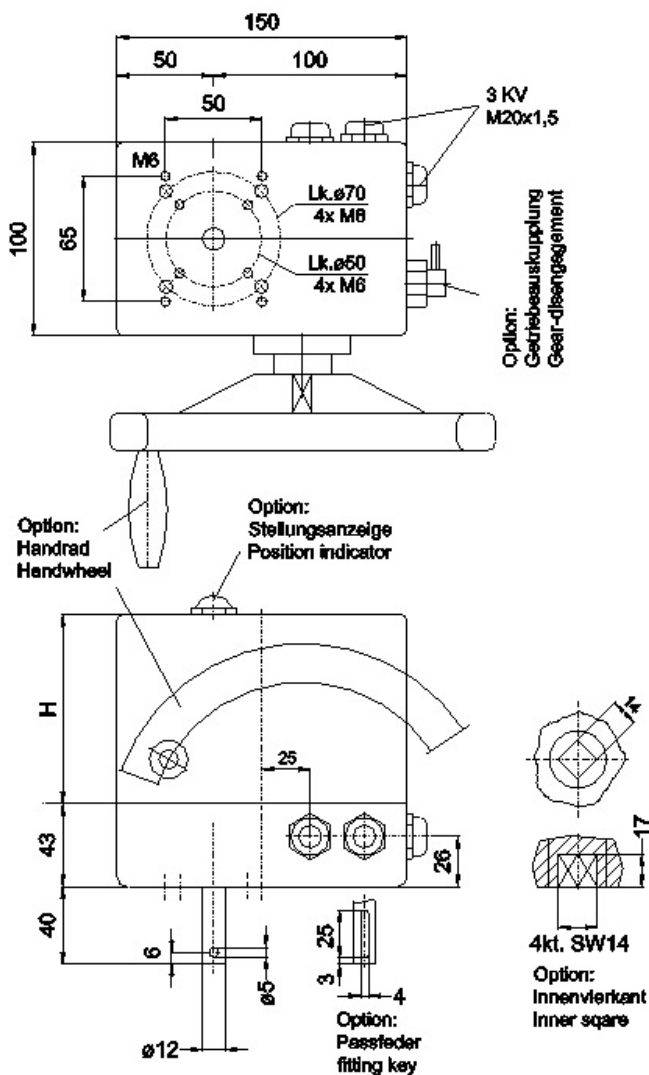
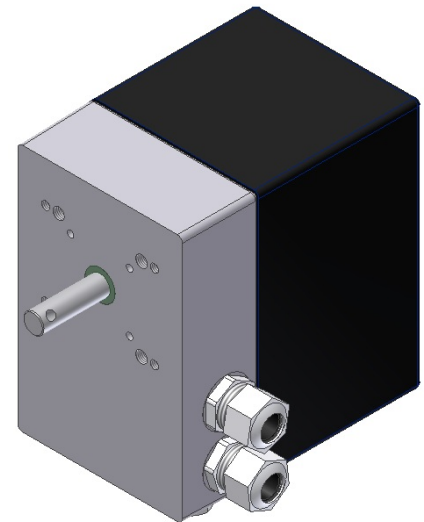


# Part-turn / Rotary Actuator AN40

Technical data	
Torque	1 to 40Nm
Actuating time	1 to 500s/90°, 100% synchronism
Swivelling / rotary range	10° to 320°, fine adjustable Optional up to 250 rotations
Voltage	230V AC, 50 / 60 Hz Optional 24/115VAC, 400VAC, 12/24VDC
Amb.-Temp.	-15°C to +60°C    Optional -40 / +80°C
Protection class	IP 65    Optional IP 66



## General data

Compact design built to industrial standards

Robust and maintenance-free

To fit any fitting position

Short-circuit proof synchronous motor

No mechanical brake required

Control cam fine adjustable

Numerous options:

Additional switches, Potentiometer

Position indicator or positioner,

Hand wheel, gear disengagement ...

Cover-height H98 -178 acc. options

Other shafts or designs

Numerous accessories