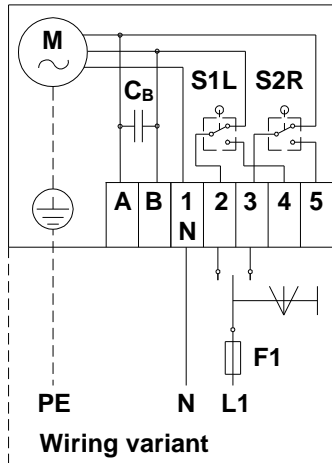


# Wiring diagram

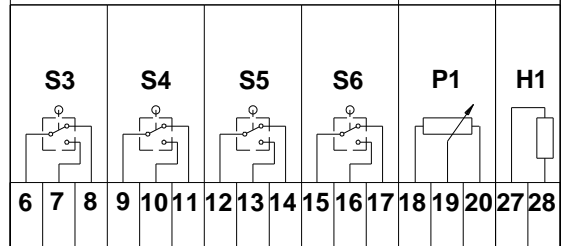
## AC Standard



## Additional switches

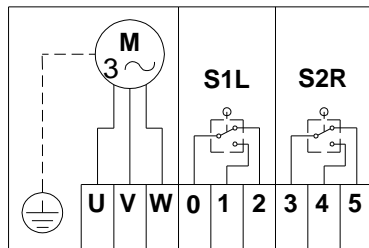
## Poti

## Heating

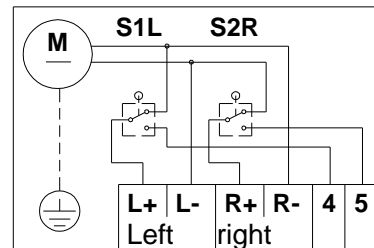


Options

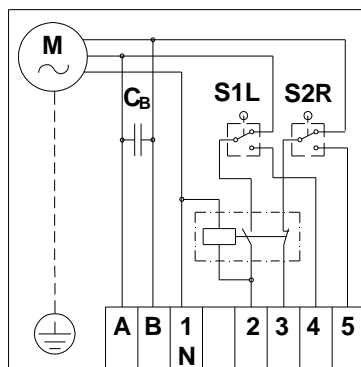
## DS Standard



## DC Standard



## AC + Relay parallel operation



## AC + Service switch

