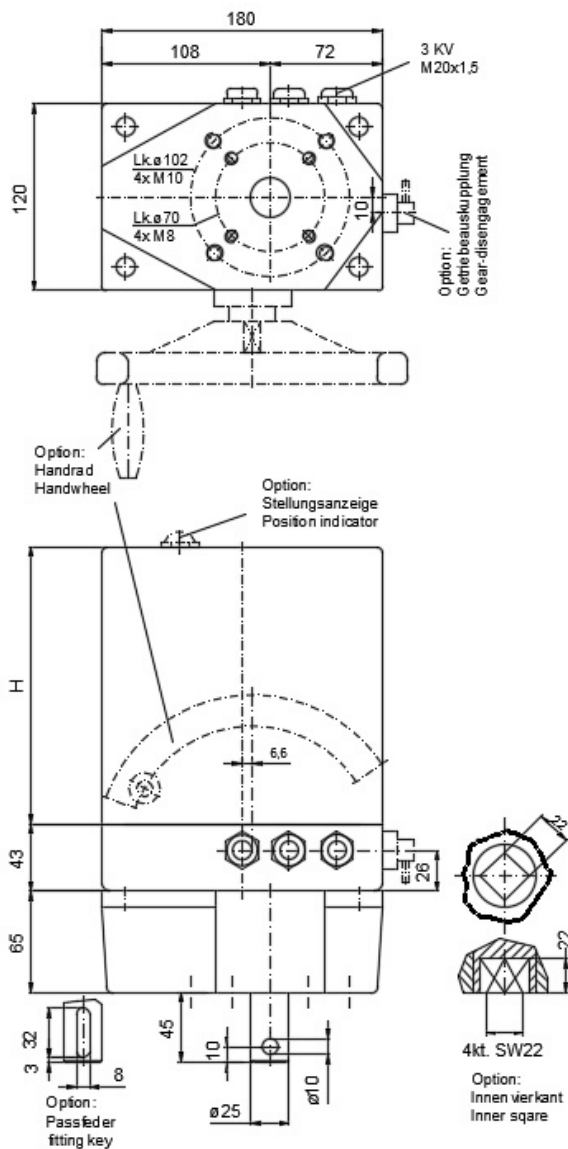
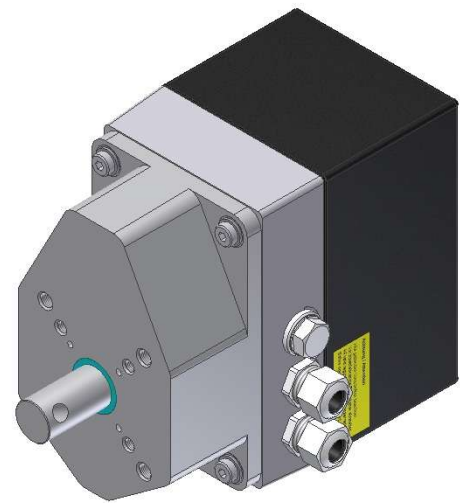


Part-turn / Rotary Actuator AN300

Technical data	
Torque	max. 300Nm
Actuating time	17 to 260s/90°, 100% synchronism
Swivelling / rotary range	10° to 95°, fine adjustable Optional up to 75 rotations
Voltage	230V AC, 50 / 60 Hz Optional 24/115VAC, 400VDS, 12/24VDC
Amb. temperature	-15°C to +60°C Optional -40 / +80°C
Protection	IP 65 Optional IP 66



General data

Compact design built to industrial standards

Robust and maintenance-free

To fit any fitting position

Short-circuit proof synchronous motor

No mechanical brake required

Control cam fine adjustable

Numerous options:

Additional switches, Potentiometer

Position indicator or positioner

Hand wheel, gear disengagement ...

Cover-height H123 -178 acc. options

Other shafts or designs

Numerous accessories

Typ	D	B	P	L	T
Standard	25	10	8	32	4
Option	20	8	6	22	3,5