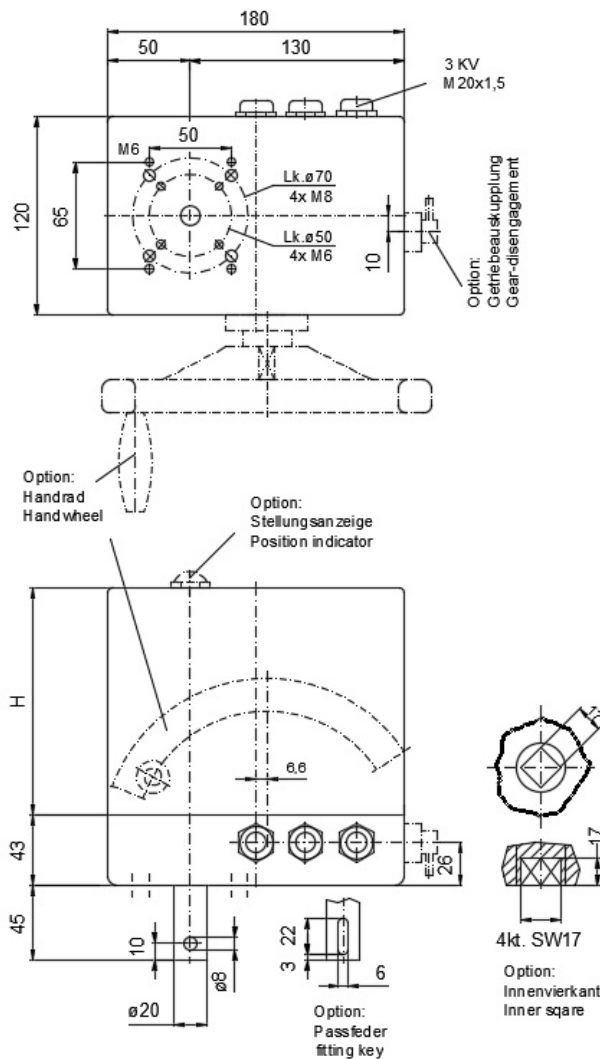


Part-turn / Rotary Actuator AN100

Technical data

Torque	max. 100Nm
Actuating time	5 to 200s/90°, 100% synchronism
Swivelling / rotary range	10° to 320°, fine adjustable Optional up to 250 rotations
Voltage	230V AC, 50 / 60 Hz Optional 24/115VAC, 400VDS, 12/24VDC
Amb. temperature	-15°C up to +60°C Optional -40 / +80°C
Protection	IP 65 Optional IP 66



General data

Compact design built to industrial standards
Robust and maintenance-free
To fit any fitting position
Short-circuit proof synchronous motor
No mechanical brake required
Control cam fine adjustable
Numerous options:
Additional switches, Potentiometer
Position indicator or positioner
Hand wheel, gear disengagement ...
Cover-height H123 -178 acc. options
Other shafts or designs
Numerous accessories

Typ	D	A	B	C	P	L	T
Standard	20	45	8	10	6	22	3,5
Option	14	40	6	6	5	22	3